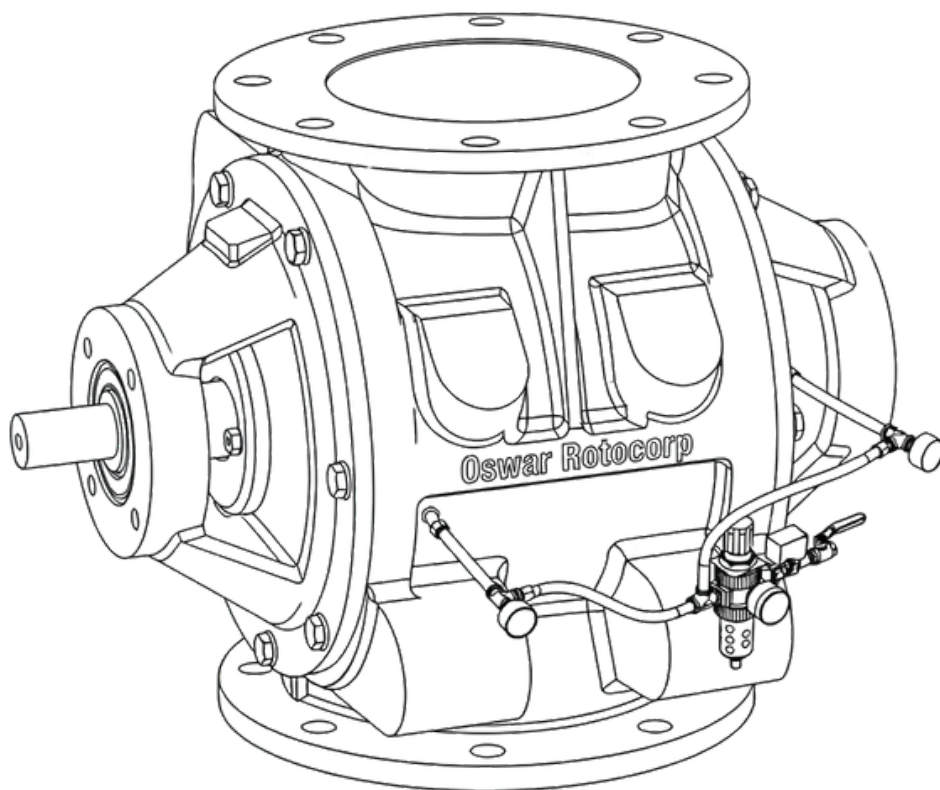



**OSWAR ROTOCORP**

SUSTAINABILITY & CIRCULAR ECONOMY



**OSWAR**  
rotocorp



At Oswar Rotocorp, sustainability is integrated into our engineering philosophy and manufacturing practices. We believe that industrial growth and environmental responsibility must progress together. Our rotary airlock and feeding systems are designed to optimize material efficiency, reduce energy losses, and minimize operational waste across critical industrial processes.

Through precision engineering, improved sealing geometry, and wear-resistant material technology, our systems contribute to lower energy consumption and reduced emissions in material handling applications.

## KEY FEATURES

ENERGY-  
EFFICIENT  
DESIGN  
PRINCIPLES

EXTENDED  
PRODUCT  
LIFECYCLE  
PERFORMANCE

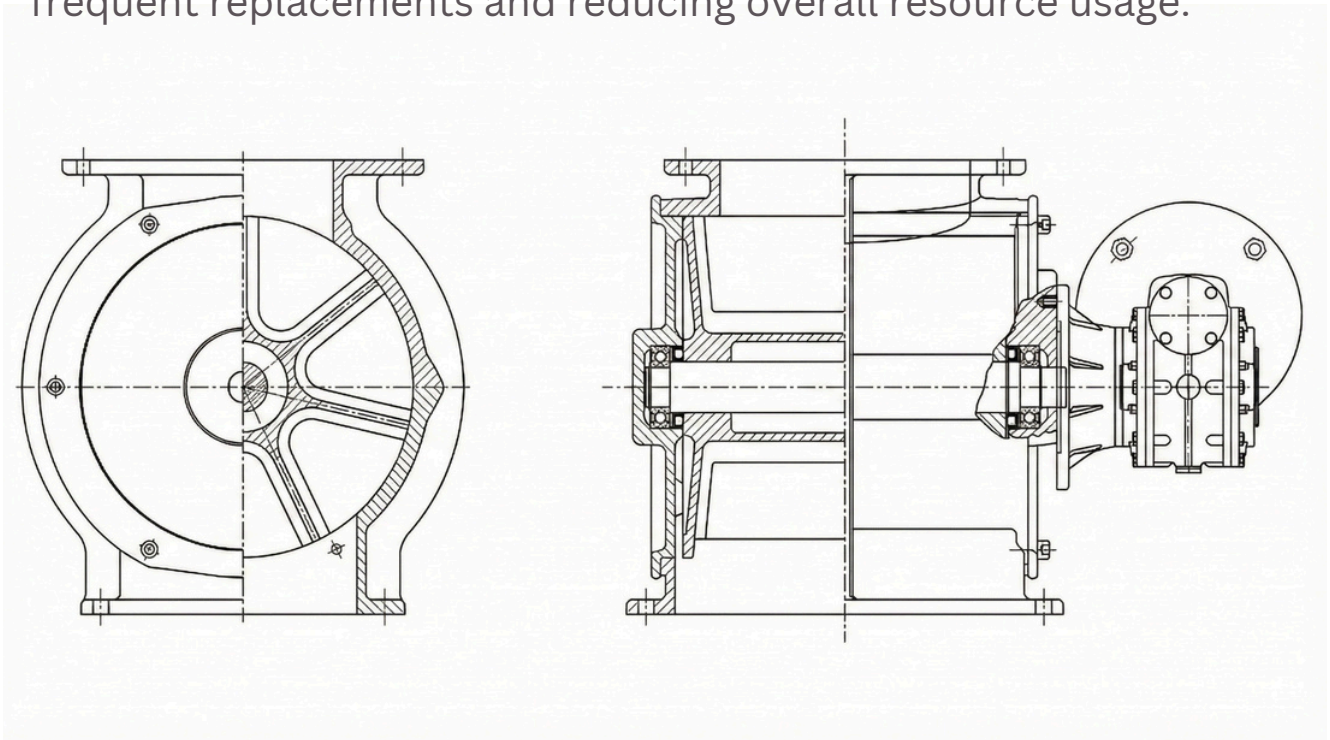
REDUCED  
MATERIAL WASTE  
& LEAKAGE

SUPPORT FOR  
CIRCULAR  
INDUSTRIAL  
SYSTEMS

# DESIGNED FOR EFFICIENCY. BUILT FOR LONG LIFE.

Sustainable performance begins with intelligent engineering. Oswar Rotocorp systems are developed to ensure minimal air leakage, controlled material flow, and optimized rotor clearance – reducing unnecessary power consumption and process inefficiencies.

Our focus on durable construction, advanced wear coatings, and heavy-duty bearing protection extends operational life, minimizing frequent replacements and reducing overall resource usage.

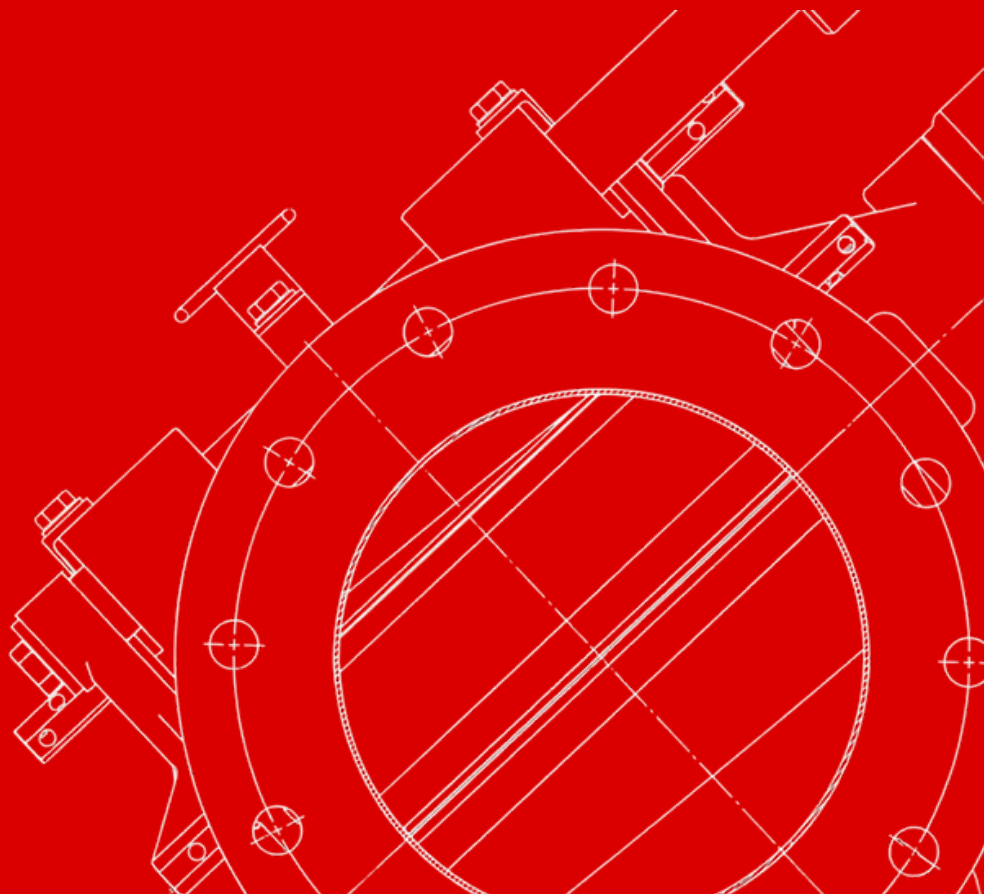


## ENGINEERING & ENVIRONMENTAL FOCUS

- Optimized sealing geometry to reduce air loss
- High-efficiency rotor design for stable material flow
- Wear-resistant coatings to extend service intervals
- Heavy-duty construction for long-term reliability
- Reduced maintenance frequency

# POWERING SUSTAINABLE INDUSTRIAL ECOSYSTEMS

- **Cement & Clinker Production**
- **Waste-to-Energy & Bio-Energy Plants**
- **Power Generation & Boilers**
- **Fertilizer & Chemical Processing**
- **Mining & Mineral Recycling**
- **Sugar & Ethanol Plants**
- **Steel & Lime Industries**
- **Food & Pharmaceutical Manufacturing**



# OSWAR

## rotocorp

### **Corporate Office**

Jaipur, Rajasthan India  
Nagpur, Maharashtra India

### **Sales Inquiries**

[info@oswarrotocorp.com](mailto:info@oswarrotocorp.com)

### **Helpline**

+44 7917 128505 | +91 77422 36474

**Copyright** © 2026 OSWAR ROTOCORP. All Rights Reserved. OSWAR® is a registered trademark of **OSWAR ROTOCORP**. This brochure makes no offers, representations or warranties (express or implied), and information and data contained in this brochure are for general reference only and may change at any time.